



COMUNELLO
AUTOMATION

Life
made
easy

LIMIT 600

ELECTROMECHANICAL BARRIER
FOR RESIDENTIAL, INDUSTRIAL
OR PUBLIC USE



MADE IN COMUNELLO



LIMIT 600

up to 6m beam

Possibility to install a LED signal light on board

Robust ambidextrous beam support in die-cast aluminium



Possibility to install, along the beam length, beam strip LED for crossing-light version or with white light

Manual key and fold-away emergency release lever

Robust steel frame with protective treatment

Micro-switch and mechanical stop adjustment by one screw

Easily accessible built-in control board for appropriate programming

Spherical self-lubricating eyelet-fixed spring for smoother, wear reducing movement

A single spring is provided which, depending on the length of the beam, is fixed to one of the holes in the spring tensioning arm

Also available in grey RAL 7011 version

Depending on the length of the beam and relative accessories, the AC-541 spring must be fixed to one of the holes of the spring-tightening arm according to the table and diagram below.

SPRING AC-541	SPRING POSITIONING AC-541					SPRING-TIGHTENING ARM
ROD LENGTH	2 m	3 m	4 m	5 m	6 m	
BEAM	1-2*	1-2-3*	3	3	3	
BEAM WITH PROTECTIVE RUBBER AND LED STRIP LED	1-2*	3	3	3	3	
BEAM WITH PROTECTIVE RUBBER, STRIP LED AND MOBILE SUPPORT	1-2*	3	3	3	3	
BEAM WITH PROTECTIVE RUBBER, STRIP LED AND ALUMINUM SKIRT	-	3	3	3	-	
BEAM WITH PROTECTIVE RUBBER, STRIP LED AND ALUMINUM SKIRT AND MOBILE SUPPORT	-	3	3	3	-	

* The SPRING can be fixed in the indicated holes with adequate adjustment for a correct balance of the rod. With the barrier unlocked, the rod must remain in balance at 45°

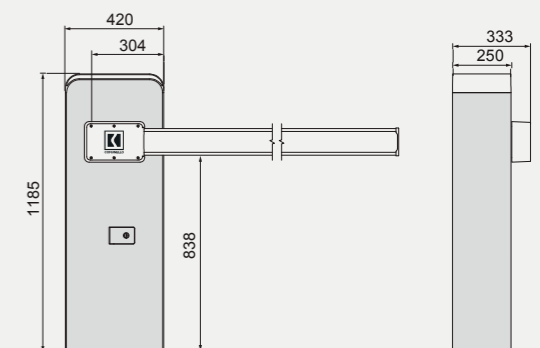


Every single product is duly tested at the end of each assembly line

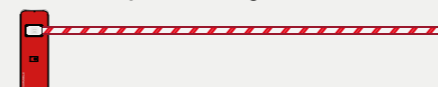
TECHNICAL FEATURES

	LIMIT 600 24V
Power supply	230 VAC
Motor power supply	24 VDC
Power consumption	150 W
Current input	6,2 A
Torque	300 Nm
Duty cycle	Intensive use
Protection rating (IP)	IP44
Insulation class	2
Working temperature	-20°C / +50°C

DIMENSIONS (mm)



For beams up to 6 m in length



For beams up to 12 m in length (6+6m)





OFFICIAL DEALER:

 **COMUNELLO**
AUTOMATION

AUTOMATION FOR GATES, DOORS AND BARRIERS

FRATELLI COMUNELLO S.P.A.

HEADQUARTERS

Via Zarpellon, 33
36027 San Giuseppe di Cassola, Vicenza, Italy
Tel. +39 0424 585111 Fax +39 0424 533417
info@comunello.it www.comunello.com

REGISTERED OFFICE

Via Cassola,64 - C.P.79
36027 Rosà, Vicenza, Italy
Tel. +39 0424 585111 Fax +39 0424 533417
info@comunello.it www.comunello.com